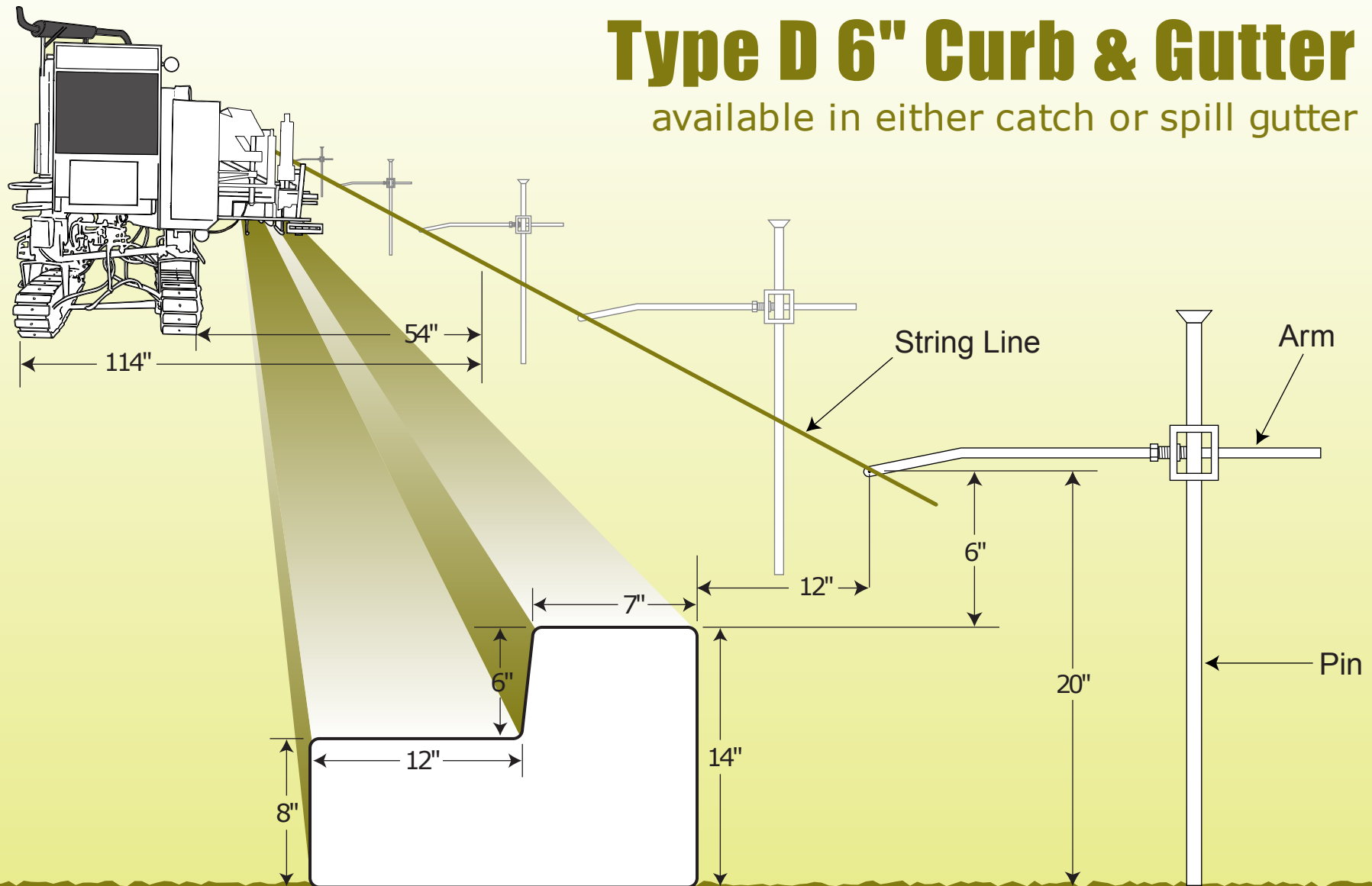


MSHA STD No. MD602.02-01 Type D 6" Curb & Gutter

available in either catch or spill gutter



Ruhlman Bros Inc

65 Musselman Road, Hanover, PA 17331
www.ruhlmanbrothers.com

office: 717-637-3235
fax: 717-637-8669